



**TU TRANSDUCERS**

O.D. (A)	OVERALL LENGTH (B)	SHELL LENGTH (C)		SHELL DIAMETER (D)		CABLE (F) LENGTH
		PVC	SS	PVC	SS	

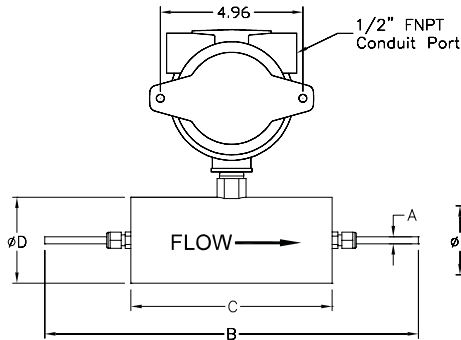
**Non Rated, FM Explosion Proof, FM Intrinsically Safe, cFM Explosion Proof**

1/16	TU	13 (330)	8 (203)	7 (178)	2.4 (64)	3 (76)	10 ft (3m)
1/16	TUL	9 (229)	5 (127)	5 (127)	3.5 (89)	3.5 (89)	10 ft (3m)
1/8	TU	13 (330)	8 (203)	7 (178)	2.4 (64)	3 (76)	10 ft (3m)
1/8	TUL	9 (229)	5 (127)	5 (127)	3.5 (89)	3.5 (89)	10 ft (3m)
3/16	TU	13 (330)	8 (203)	7 (178)	2.4 (64)	3 (76)	10 ft (3m)
3/16	TUL	10.8 (274)	5.8 (147)	5.8 (147)	4.5 (114)	4.5 (114)	10 ft (3m)
1/4	TU	13 (330)	8 (203)	7 (178)	2.4 (64)	3 (76)	10 ft (3m)
1/4	TUL	10.8 (274)	5.8 (147)	5.8 (147)	4.5 (114)	4.5 (114)	10 ft (3m)

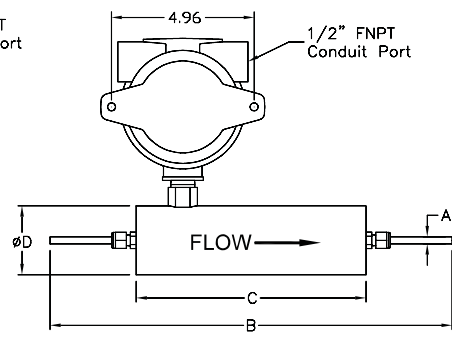
**Non Rated, FM Intrinsically Safe**

C (.030)	TU	13 (330)	8 (203)	7 (178)	2.4 (64)	3 (76)	10 ft (3m)
3/8	TU	13 (330)	8 (203)	7 (178)	3.5 (89)	3 (76)	10 ft (3m)
3/8	TUL	13 (330)	7 (178)	7 (178)	6.6 (168)	6.6 (168)	10 ft (3m)
1/2	TU	13 (330)	8 (203)	7 (178)	3.5 (89)	3 (76)	10 ft (3m)
1/2	TUL	16 (406)	9 (229)	9 (229)	8.6 (218)	8.6 (218)	10 ft (3m)
5/8	TU	16 (406)	8 (203)	7 (178)	3.5 (89)	3 (76)	10 ft (3m)
3/4	TU	16 (406)	8 (203)	7 (178)	3.5 (89)	3 (76)	10 ft (3m)
1	TU	22 (559)	11 (279)	10 (254)	3.5 (89)	3 (76)	10 ft (3m)
1 1/2	TU	22 (559)	11 (279)	10 (254)	4.5 (114)	-	10 ft (3m)
2	TU	22 (559)	11 (279)	10 (254)	4.5 (114)	-	10 ft (3m)

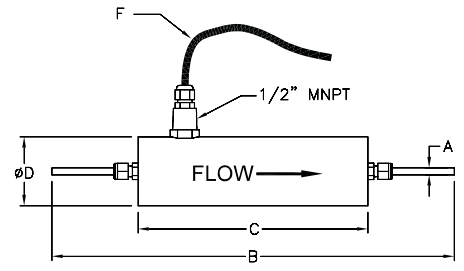
Note: FM Intrinsically Safe sensors above 1/2" approved for gas flows only.



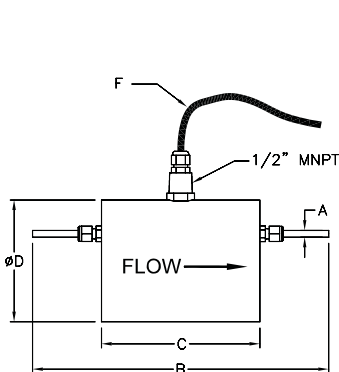
**Blind TU with SS Shell**  
Non Rated or FM Intrinsically Safe



**Blind TU with PVC Shell**  
Non Rated or FM Intrinsically Safe



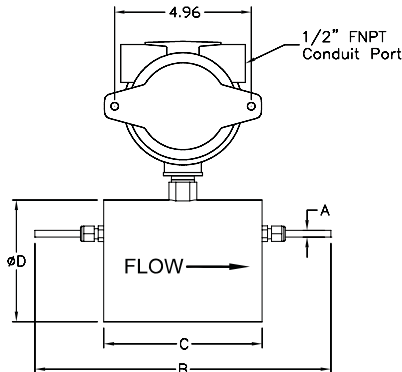
**210R TU with PVC Shell**  
Non Rated or FM Intrinsically Safe  
Use if cable length is 10ft long or less



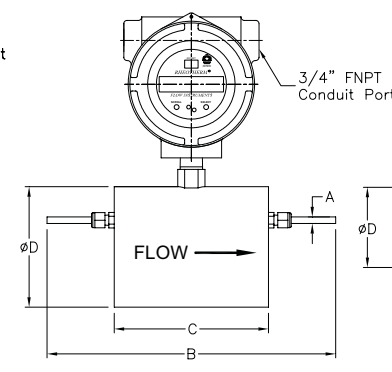
**210R TUL, TUS with PVC Shell**

Use if cable length is 10ft long or less

Non Rated or FM Intrinsically Safe

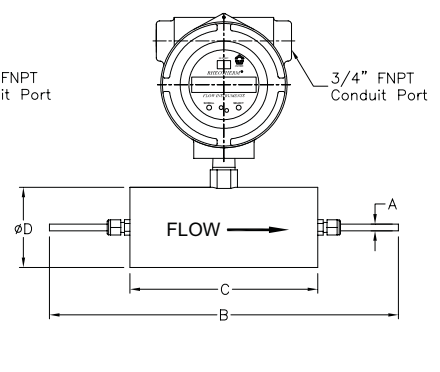


**Blind SS Shell TUL, TUS**



**TUL, TUS with display, SS Shell**

Non Rated or FM/cFM Explosion-Proof or FM Intrinsically Safe

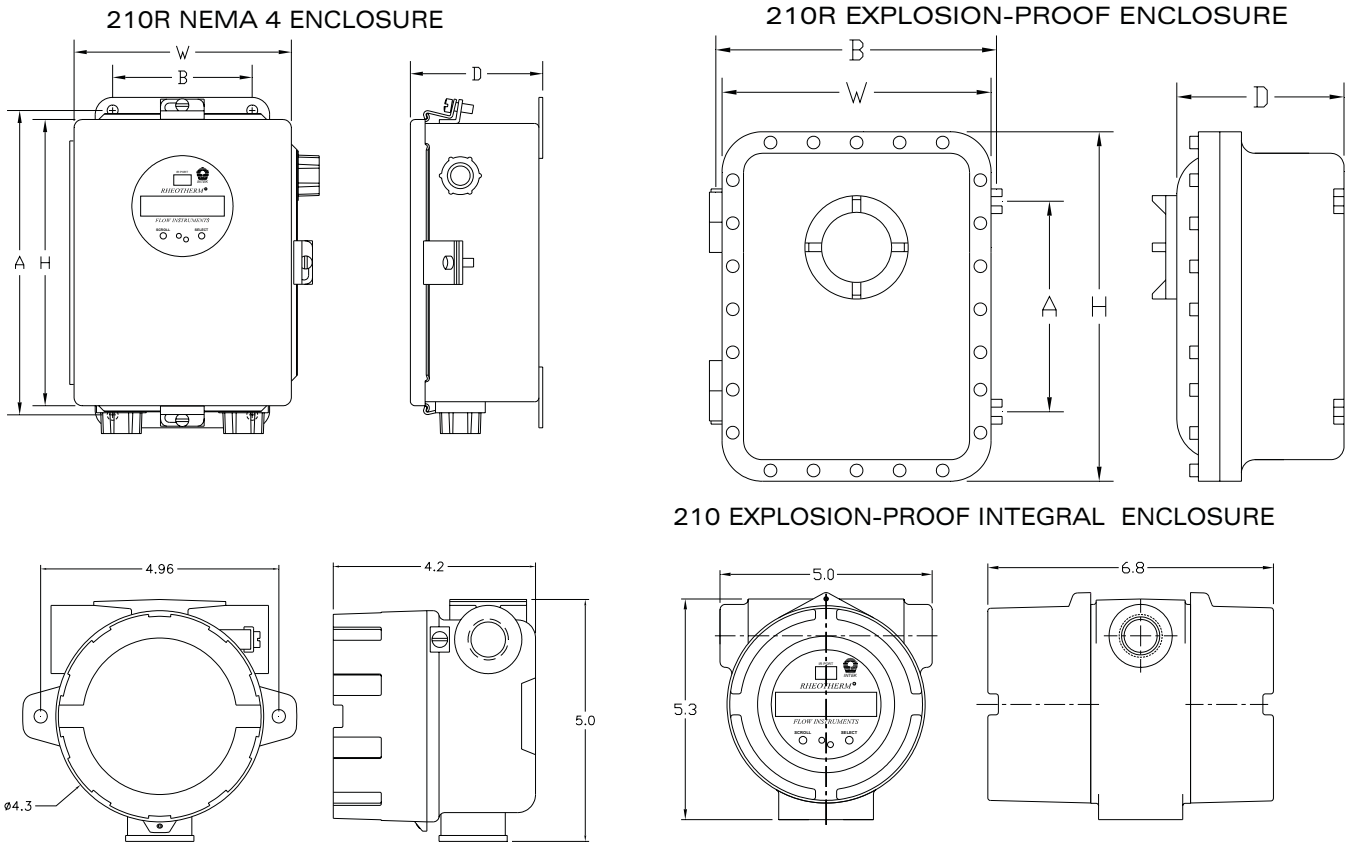


**TU with display, SS Shell**



	ENCLOSURE DESIGNATION	ENCLOSURE SIZE (H x W x D)	MOUNTING (A x B)
<b>Model 210</b>			
<b>Cast Aluminum</b>			
Non FM, No display	X	see blind integral below	N/A
cFM, FM, or display	X-FM, XDT	see explosion-proof integral below	N/A
<b>Model 210R</b>			
<b>NEMA 4 (window &amp; display are optional)</b>			
Model 210R (standard)	I, IDT	8 x 6 x 3.9 (203 x 152 x 99)	8.8 x 4 (224 x 102)
Model 210R (Opt. outputs)	I, IDT	10 x 8 x 4.4 (254 x 203 x 111)	10.8 x 6 (273 x 152)
Model 210R (ISB)	I, IDT	12 x 10 x 5.4 (305 x 254 x 137)	12.8 x 8 (324 x 203)
<b>Explosion-proof</b>			
ISB (Intrinsically safe sensor)	X, XDT	13.8 x 13.8 x 9.1 (349 x 349 x 232)	6.5 x 13 (165 x 330)
ISB (+ Opt. outputs)	X, XDT	17 x 13 x 8.2 (432 x 330 x 208)	10.6 x 13 (270 x 330)

Dimensions in inches (millimeters). All dimensions subject to change without notice.



Contact factory for additional enclosures including Panel Mount and Laboratory