

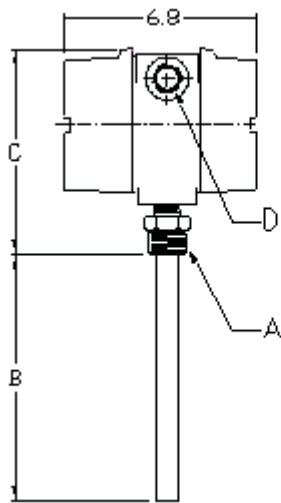


**FM APPROVED PROBE TRANSDUCERS**

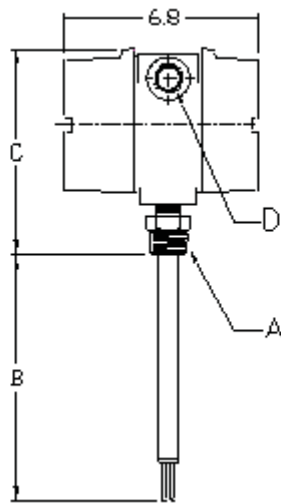
	A	B	C	D	CABLE
NPT/I	1" MNPT	Variable	7 (178)	3/4" FNPT	10 ft (3 m)
NPT/2I	1" MNPT	Variable	7 (178)	3/4" FNPT	10 ft (3 m)
BF/2I	1" flange	Variable	9 (229)	3/4" FNPT	10 ft (3 m)
Rheovec®	4" flange	Variable	9 (229)	3/4" FNPT	10 ft (3 m)

Dimensions in inches (millimeters). All dimensions subject to change without notice. Up to 200 ft. of cable available.

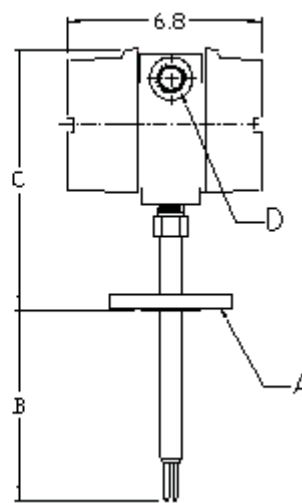
NPT/I



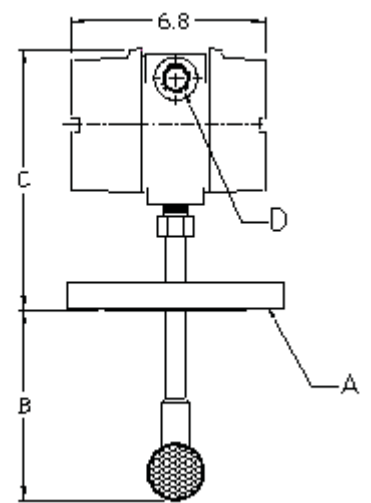
NPT/2I



BF/2I



Rheovec

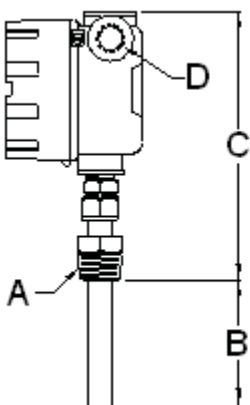


**BLIND PROBE TRANSDUCERS - 210 or 210R**

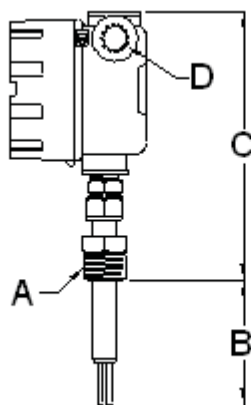
	A	B	C	D	CABLE
NPT/I	1" MNPT	Variable	6 (152)	1/2" FNPT	10 ft (3 m)
NPT/2I	1" MNPT	Variable	6 (152)	1/2" FNPT	10 ft (3 m)
BF/2I	1" flange	Variable	8 (203)	1/2" FNPT	10 ft (3 m)
Rheovec®	4" flange	Variable	8 (203)	1/2" FNPT	10 ft (3 m)

Dimensions in inches (millimeters). All dimensions subject to change without notice. Up to 200 ft. of cable available.

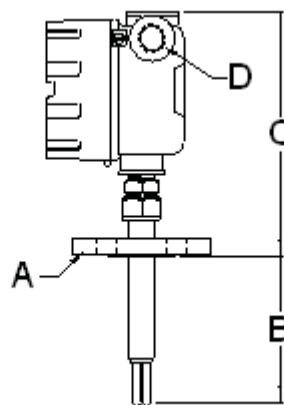
NPT/I



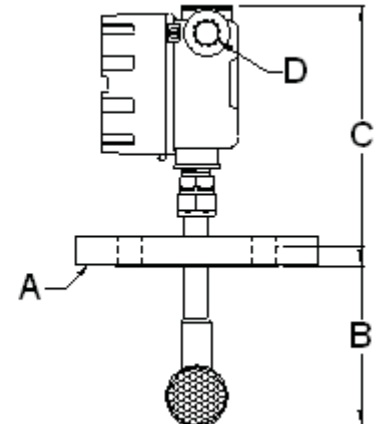
NPT/2I



BF/2I



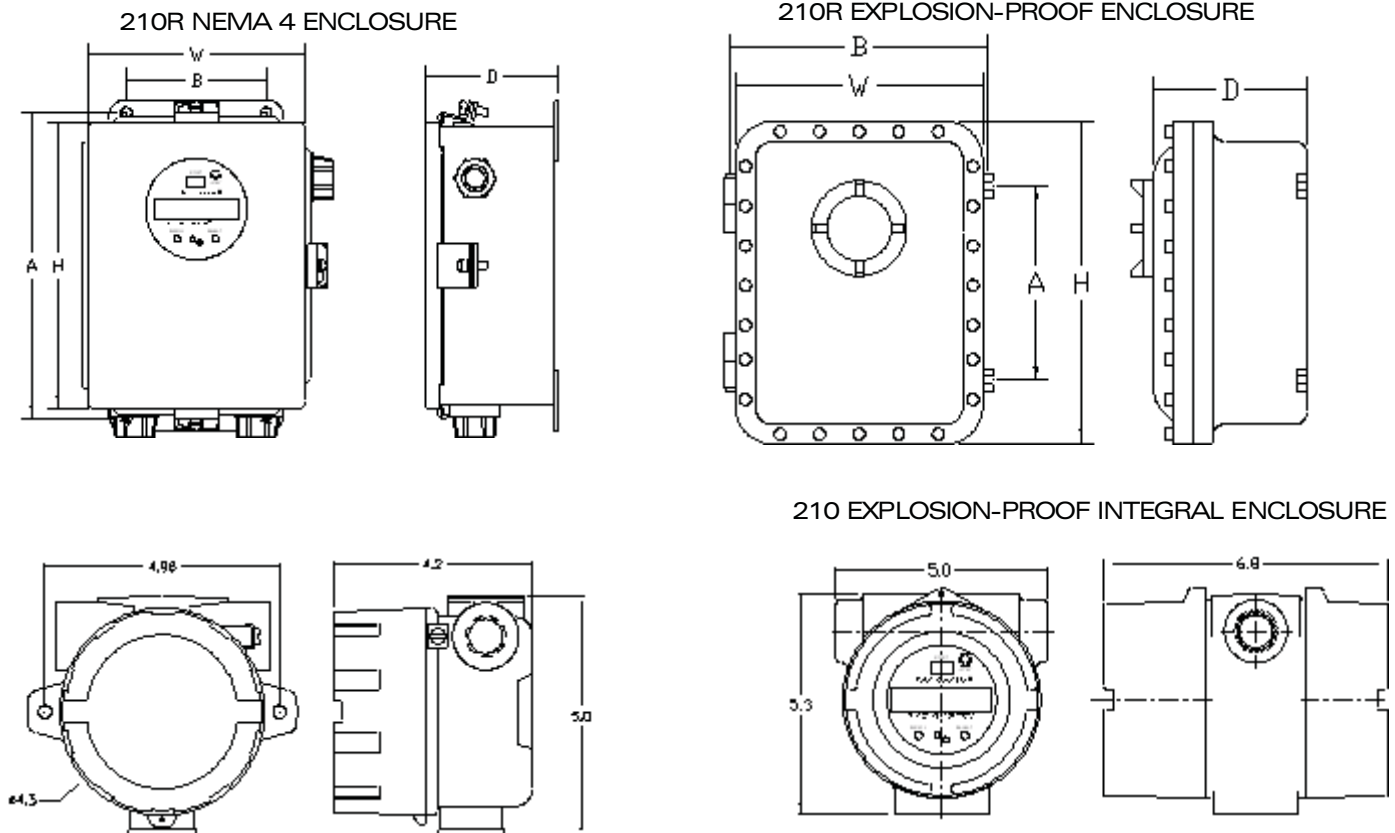
Rheovec





	ENCLOSURE DESIGNATION	ENCLOSURE SIZE (H x W x D)		MOUNTING (A x B)
<b>Model 210</b>				
<b>Cast Aluminum</b>				
Non FM, No display	X	see blind integral below		N/A
cFM, FM, or display	X-FM, XDT	see explosion-proof integral below		N/A
<b>Model 210R</b>				
<b>NEMA 4 (window &amp; display are optional)</b>				
Model 210R (standard)	I, IDT	8 x 6 x 3.9	(203 x 152 x 99)	8.8 x 4 (224 x 102)
Model 210R (Opt. outputs)	I, IDT	10 x 8 x 4.4	(254 x 203 x 111)	10.8 x 6 (273 x 152)
Model 210R (ISB)	I, IDT	12 x 10 x 5.4	(305 x 254 x 137)	12.8 x 8 (324 x 203)
<b>Explosion-proof</b>				
ISB (Intrinsically safe sensor)	X, XDT	13.8 x 13.8 x 9.1	(349 x 349 x 232)	6.5 x 13 (165 x 330)
ISB (+ Opt. outputs)	X, XDT	17 x 13 x 8.2	(432 x 330 x 208)	10.6 x 13 (270 x 330)

Dimensions in inches (millimeters). All dimensions subject to change without notice.



Contact factory for additional enclosures including Panel Mount and Laboratory